



04/01/2011

Pergola High Speed 60 io

Technical data sheet

SDEV-CLU-IMPS 61R1

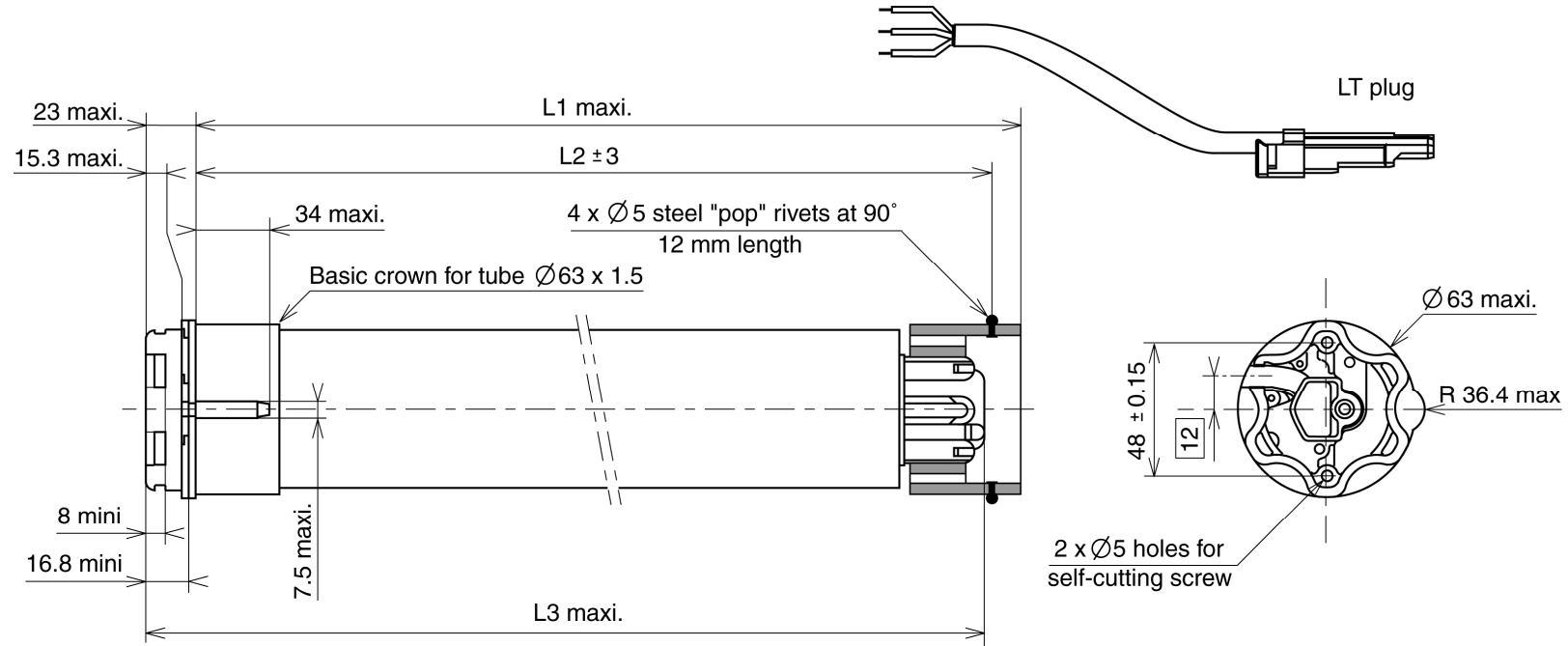
SDEV- FICA 158 R0

Range 1

Type of head	Star head
Nominal voltage	230V - 50Hz
Power supply tolerances	195,5 V AC - 253 V AC
Thermal time	4 minutes
Number of wires of the cable	3
Wire section	0,75 mm ²
Removable cable	yes
Type of limit switch unit	Electronic
Capacity of the LSU	190 turns
Repeatability	< ± 5°
System of protection	IP 44
Interface drawings	Wheel interface LT60 206801 - Crown interface LT60, LT60 ADF, FTS60 & LT60 CSI 206802 - interface drawing star head LT60 206803
Insulation class	I
Radio frequency	868-870 Mhz (tri band)
Coding	Code with a minimum of 248 possibilities
Capacity of memory	Maxi 9 for 1W transmitter - infinite for 2W transmitters
Antenna	Integrated
Range	20 m with 2 reinforced concrete walls to be passed through Possibility to enhance radio range thanks to a Repeater
Standard (CE)	<i>In accordance with CE declaration in internet Website www.somfy.com/ce</i>
Application	Pergola awning
Principle	The principle of the Pergola io is to motorize Pergola awning with io-homecontrol@ protocol
Basic crown for tube Ø	63 x 1,5 mm
Temperature working range	80% of life time between -10°C to +40°C 20% of life time between -20°C to +70°C

Designation	Nm	rpm	Reference	mm	mm	mm	mm	W	A	°C	Brake type	kg	dBA
	Nominal torque	Nominal speed		L1 max.	L2 (±3 mm)	L3 max.	tube	Rated power	Rated current	Thermal tripping		Weight	Noise
Pergola SP 60 io 13/66	13	66	5067320	733	718	738	670	290	1,25	140	Sliding	4,70	65
Pergola SP 60 io 30/45	30	45	5067323	733	718	738	670	370	1,6	140	Sliding	5,00	65

Neutral	Blue
Live	Brown
Earth	Green / Yellow



Name Date	R&D	QUALITY	EDITOR
	P. Puthod	C. Belin	C. Louet